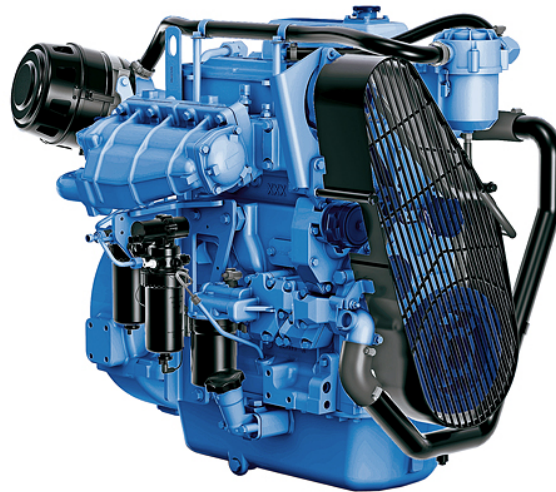


N5.160 CR2

Specifications



Power at crankshaft	119 kW [162 hp]	Engine base	John Deere
Displacement	4.5 l [276 in ³]	Fuel system	Direct injection High pressure Common Rail Electronically controlled
Configuration	4 cylinders in line 4 valves per cylinder	Air intake	Turbocharged Air-to-Coolant aftercooler
Operation type	4 stroke Diesel	Cooling	Closed cooling with heat exchanger
Bore & Stroke	106.4 x 127 mm [4.19 x 5 in]	Mounting angle	12° Front up 0° Front down
Compression ratio	16.7:1	Alternator	24 Volt 50 Amp
Rated speed	2300 rpm	Rating	M1
Idle speed	600 rpm	Emission compliance	IMO Marpol Annex VI NRMM (97/68/EC) Tier 3 EPA marine Tier 3
Peak torque	567 Nm		
Peak torque speed	1800 rpm		
Dry weight	578 kg [1274 lb]		

N5.160 CR2

119 kW [162 hp] @ 2300 rpm

TECHNICAL DESCRIPTION

Engine block

- Replaceable wet-type cylinder liners
- 4 valves per cylinder
- Watercooled exhaust manifold

Fuel system

- Common Rail fuel injection system
- Fuel heater
- Primary & secondary fuel filter

Lubrication system

- Replaceable full-flow oil filter
- Oil dipstick
- Oil cooler

Cooling system

- Closed cooling with heat exchanger
- Gear driven self-priming raw water pump
- Coolant circulating pump
- Water cooled exhaust elbow

Electrical system & Instrumentation

- 24V 50A alternator
- 24 Volt starter motor
- Complete instrumentation including key switch and alarms
- Extension cable harness with plug-in connection

Air intake

- Turbocharged
- Air-to-Coolant aftercooler

Other features

- Flywheel SAE 3
- Internal balancers
- Flexible engine mounting

Optional equipment & accessories

- Keel cooling adaptation
- Dry exhaust elbow
- Complete marine propulsion systems
- Marine transmission adaptation kits
- Throttle and shift controls
- Additional instrumentation, Flying bridge extension harness
- Rigid engine mounting
- Power take off

RATING

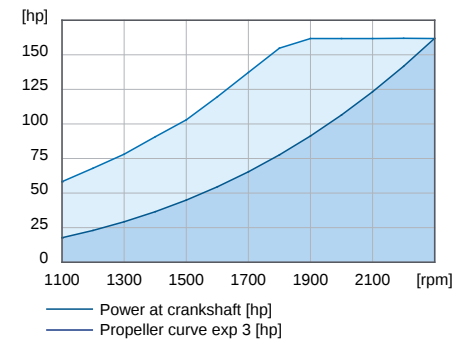
- 24 daily operating hours
- Load factor over 65%
- Uninterrupted full power

TRANSMISSIONS

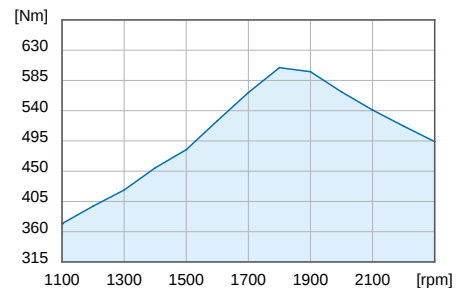
Contact your local dealer for more details and availability for transmission model and type.

PERFORMANCE CURVES

Power at crankshaft

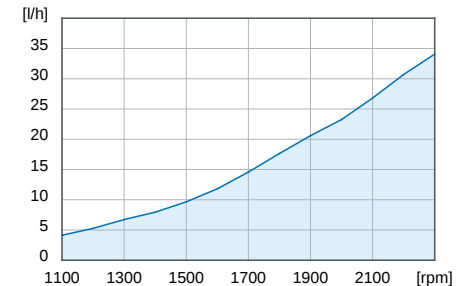


Torque at crankshaft

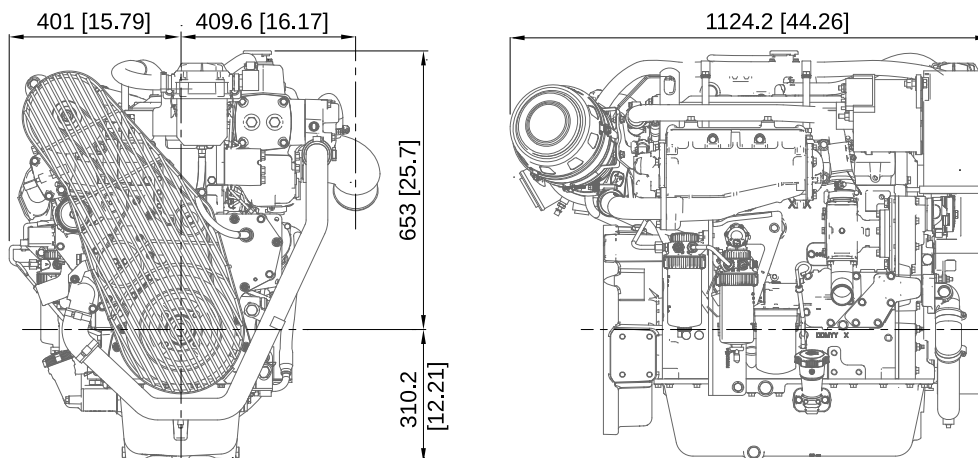


Fuel consumption

At calculated propeller load exp 3



DIMENSIONS BOBTAIL



Nanni Industries S.A.S. France

11, Avenue Mariotte - Zone Industrielle
33260 La Teste - France
Tel: +33 (0)5 56 22 30 60
Fax: +33 (0)5 56 22 30 79

Nanni Trading S.R.L

Via Degli Olmetti, 5/B
00060 Formello (RM) - Italia
Tel: +39 (0)6 30 88 42 51/52/53
Fax: +39 (0)6 30 88 42 54

Technical data according to ISO 8665. Specifications are subject to change without notice. Images and illustrations may show non standard equipments. All combination of equipment & accessory are not available.

120914-ENG